

Ascon Filter & Solar Controller UFS

Features

Allows morning and evening filtration without affecting the heating

Heating on demand

Constant Temperature analysis to keep pool at optimum water tempere for your famiy's enjoyment.

Winter function, that will ensure that your whole system will not develop the problems associated with winter shutdowns

With solar and filter timer combination, the UFS constantly monitors the pool and roof temperatures and if heating is achievable starts up the system until the comfort level is reached. This all happens irrespective of the filter set times.

The UFS transfers the maximum heat from the sun and puts it right where you want it - into your pool!



“year round efficient heating for your pool”



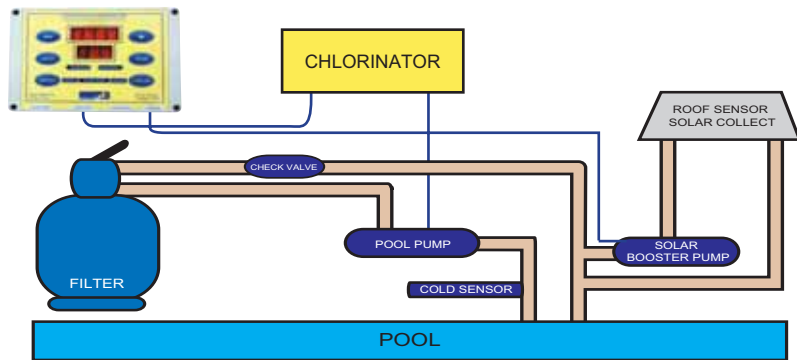
Associated Controls Pool Products

32-4 Norfolk Road, Greenacre NSW 2190 Australia
Telephone: (61 2)9642 4922 ⚡ Facsimile: (61 2) 9642 4955
email: info@asconpool.com ⚡ web: www.asconpool.com

UFS

“Ultimate filter solar controller”

With the solar and filter timer combined, the UFS constantly monitors the pool and roof temperature and when there is solar gain, it over rides the filter setting and allows the solar to heat the pool. If there is no solar gain the chlorinator turns on when timer is set. An easy to use solar heating system achieving maximum heat to your pool.



SPECIFICATIONS

POWER CONSUMPTION

- Operating Voltage - 240 Volts AC +/- 10%
- Current Consumption - 0.02 Amps with pump off.
- Power Consumption - 5 Watts.

ENVIRONMENTAL CONDITIONS

- Operating Temperature Range - 0 - 45 Deg C
- Operating Humidity Range - 95% R.H. non-condensing

SOLAR PUMP RELAY

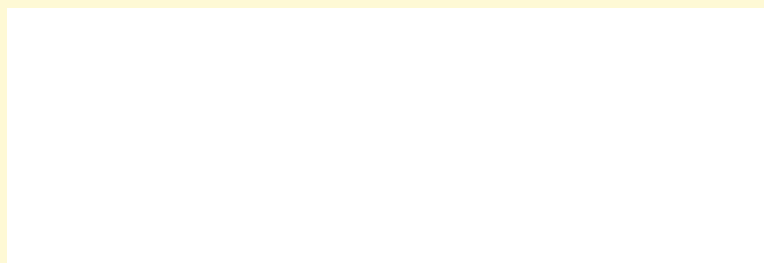
Rated to switch a 1.5HP 240 volt motor.

FILTER PUMP RELAY

Rated to switch a 1.5HP 240 volt motor.

- Pump Relay** - Rated to switch a 1.5 HP 240 volt motor.
- Housing** - ABS Plastic
- Sensors** - Brass housing pool sensor 1.8 metre UV stable Ascon probe wire
- UV stable plastic housing roof sensor 24 metre UV stable Ascon probe wire

Available From



Warranty

The UFS Filter Solar Controller is warranted against faulty materials and labour for one year from the date of original purchase. This warranty does not extend to accessories, defects or injuries caused by or resulting from causes not attributable to faulty parts or the manufacture of the product, including but not limited to, defect or injury caused by or resulting from misuse, abuse, neglect, accidental damage, improper voltage, improper connections, vermin infestation or any alterations made to the product that are not authorised by Associated Controls. For full details of the Associated Controls Pool Products warranty details please refer to the web site. www.asconpool.com

Serial No.

Date of Purchase.....

Name of Installer.....

Name of retailer.....
(if different to installer)

Made in Australia By

