

Salt Water Chlorinator

Features

- ⚡ Digital timeclock
- ⚡ Battery backup
- ⚡ Low Salt indicator
- ⚡ Audible alerts

Operational

- ⚡ 2 on time settings
- ⚡ Fully automatic
- ⚡ Self cleaning cell
- ⚡ Membrane touch pad

Design

- ⚡ Robust cell material
- ⚡ Sturdy construction
- ⚡ Single moulded cell housing

Installation

- ⚡ Comes complete with mounting screws and template

From the leading electronic pool control manufacturer comes the :-
C2020-SERIES Salt Water Chlorinator.



“Leading the way in technology”



ascon
pool products

Associated Controls Pool Products

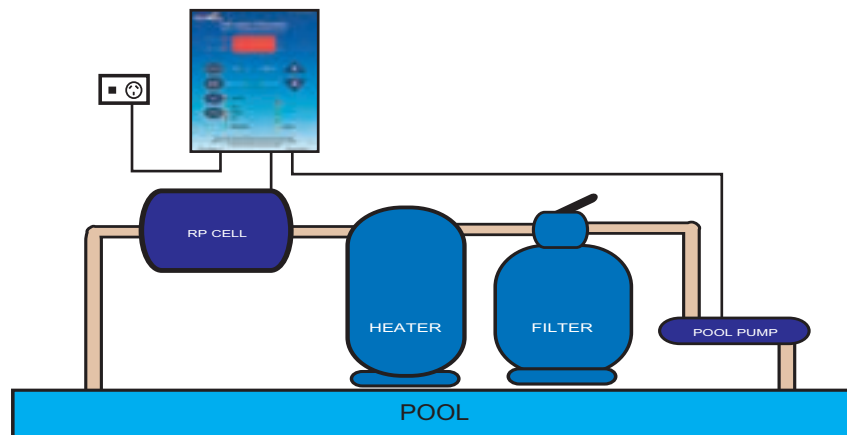
2-4 Norfolk Road, Greenacre NSW 2190 Australia
Telephone: (61 2) 9642 4922 ⚡ Facsimile: (61 2) 9642 4955
email: info@asconpool.com ⚡ web: www.asconpool.com

Leading The Way In Pool Technology

Salt Water Chlorinator

The Ascon Pool Products C2020 series salt water chlorinator brings an electronic efficient chlorine factory right next to your pool. The water passes through the cell plates and produces chlorine to instantly sanitise the pool.

The electronic microprocessor controlled chlorinator, has been designed with the user in mind, allowing multiple system start up. With variable chlorine output the chlorinator can be set to best suit your pools sanitisation requirement.



SPECIFICATIONS

Power Consumption

Operating Voltage - 240 Volts AC +/- 10%

Current Consumption - 0.02 Amps with Pump OFF 7.0 Amps with both Pump & Chlorinator operational.

Power Consumption - 5 Watts with Pump OFF

Environmental Conditions

Operating Temperature Range - 0 - 45 Deg C

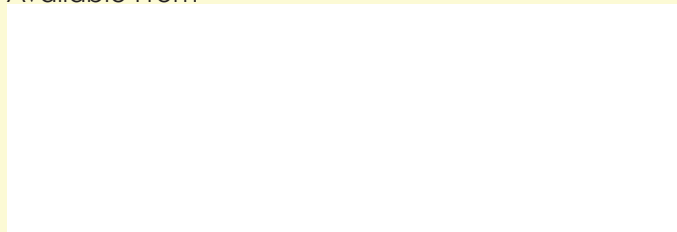
Operating Humidity Range - 95% R.H. non-condensing

Pump Relay - Rated to switch a 2HP 240-volt motor.

Chlorinator Cells - Three Cell models accommodated. 15A - 20A - 25A

* With the continual improvement of this product ascon pool products may change without notice the colour and specifications of this product.

Available From



Warranty

The C2020 salt water chlorinator is warranted against faulty materials and labour for twelve months from the date of original purchase. This warranty does not extend to accessories or defects or injuries caused by or resulting from causes not attributable to faulty parts or the manufacture of the product, including but not limited to, defect or injury caused by or resulting from misuse, abuse, neglect, accidental damage, improper connections, vermin infestation or any other alterations made to the product that are not authorised by associated controls. For full details of the associated controls pool products warranty details please refer to the web site. www.asconpool.com

Made in Australia By



www.asconpool.com